



HEADER TRAILERS

FROM THE HARVESTING TECHNICAL SPECIALIST



always one step ahead!



BISO PRODUCES **HEADER TRAILERS** IN DIFFERENT DESIGNS SINCE THE YEAR 1993 AND THEREFORE HAS MUCH EXPERIENCE AND KNOW HOW IN THIS TECHNIQUE.

> **ONE MANUFACTURER FOR ALL HEADERS**

The 4 different models allow our customers to find the suitable trailer for small and also large headers up to 16 m cutting width. In addition each trailer can be equipped individually with different options, and so each farmer can choose the best package for himself.

> **INCREASING DEMANDS ON HEADER TRAILERS**

As the headers are getting wider and also the combines are running faster, also the demands on header trailers are increasing. We have accepted this challenge and with the market introduction of the PROFI STEER trailer with rear axle steering we can now offer the perfect trailer for large headers with optimal manoeuvrability. Of course all of our trailers are optionally available with type approval for 40 km/h.

> **SUPPORTS AVAILABLE IN COLOR OF THE COMBINE**

The main beam, the axle and the light bar of the trailers are carried out in neutral, black color. The supports for the header are painted in yellow BISO color as standard. On request and without extra charge they are also available in color of the combine. That gives a perfect color grade to your header/trailer combination.

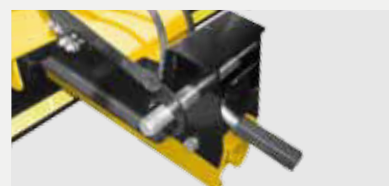
> **SUPPORTS EASILY MOVEABLE IF REQUIRED**

The heart of each trailer are the supports. Our machine-welded supports are adjusted for each header type and ensure the optimal support on the trailer. A big plus is the easy adjustment of angle and position of the supports.



> **EASY AND COMFORTABLE LOCKING**

A big plus is the easy operable locking of the header on the trailer. Only a simple attaching lever has to be moved. When designing we set highest priority in a big tolerance range for loading and unloading of the header.



CONTENTS

04

PROFI STEER

- + Suitable for header widths up to 16 m and 6.000 kg max. permissible total weight
- + Perfect manoeuvrability through the rear steering axle with integral hydraulic system
- + Wide front axle



06

PROFI

- + Suitable for header widths up to 10,7 m and 4.500 kg max. permissible total weight
- + Optimal positioning of the rear axle, no collision with the feeder house
- + Smooth and easy manoeuvrability



08

TANDEM

- + Suitable for header widths up to 9,15 m and 3.650 kg max. permissible total weight
- + Smooth handling
- + Extendable drawbar



10

SWIFT

- + Suitable for header widths up to 7 m and 3.100 kg max. permissible total weight
- + Extendable drawbar



12

OPTIONAL HIGHLIGHTS

13

USERFRIENDLY DETAILS

14

BISO TRAILERS FOR NEW HOLLAND HEADERS

15

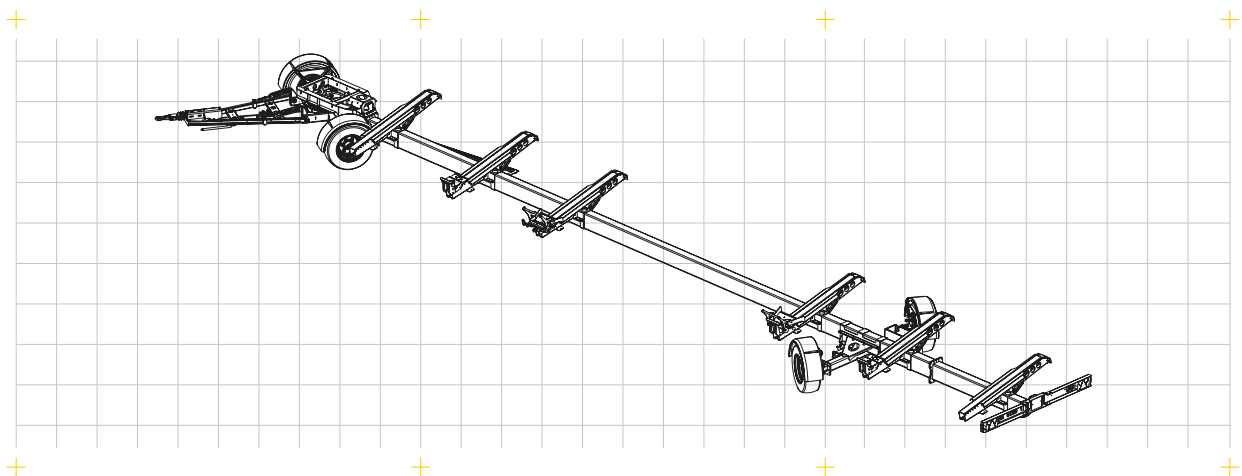
BISO TRAILERS FOR VX CROP RANGER AND ULTRALIGHT HEADERS

> BISO PROFI STEER

The **PROFI STEER** is the **Ultimate under the header trailers**. The trailer is characterized by the hydraulic rear steering axle, which ensures an **excellent manoeuvrability** even in tight corners or going around roundabouts, so **moving of large headers with a combine or tractor is now easy**. Further advantages are the front axle with full width for better driving comfort and the lower structure of the turntable, which shortens the total length of the trailer.

THE ADVANTAGES AT A GLANCE:

- > Suitable for header widths up to 16 m and 5.600 kg max. permissible total weight
- > Perfect manoeuvrability through the rear steering axle with integral hydraulic system
- > Optimal supports for all header types
- > Drawbar adjustable in height
- > Supports with angle adjustment
- > Overrunning- and parking brake
- > TÜV certification and type approval up to 25 km/h (40 km/h Option)
- > No hydraulic- and brake lines under the frame
- > Tyres 260/70/15,3 14 Ply
- > Supports available in color of the combine (Option)
- > Transport box for side knives 1,8 x 1,2 x 0,3 m (Option)



ROBUST TURNTABLE

LEVER FOR LOCKING
THE REAR STEERING AXLE

LARGE DIMENSIONED MAIN BEAM
for heavy headers



FRONT AXLE WITH
FULL WIDTH

LOWER STRUCTURE OF THE TURNTABLE
shortens the total length

REAR STEERING AXLE USING
INTEGRAL HYDRAULIC SYSTEM
for perfect following



> The BISO PROFI STEER is the perfect trailer for big headers. This trailer is equipped with the rear steering axle, so moving of large headers with a combine or tractor is now easy. Further, the trailer has excellent manoeuvrability even in tight corners or going around roundabouts. I can highly recommend the PROFI STEER for cutting width of 10,7 m.<

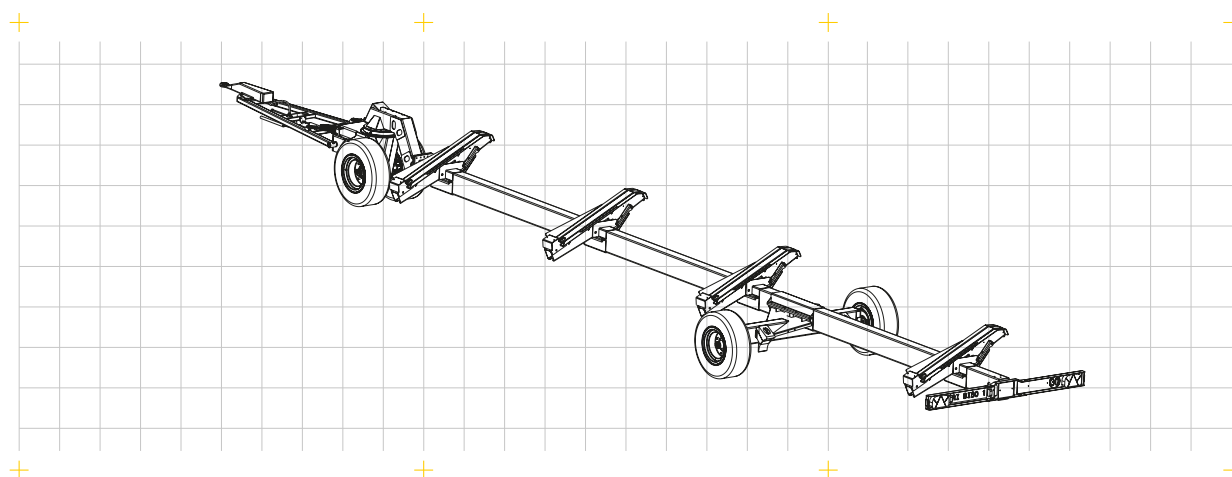
LORENZ RINDLER, 18519 SUNDHAGEN, GERMANY

> BISO PROFI

The BISO PROFI trailer is suitable for cutting widths up to 10,7 m. The trailer is attractive for its **smooth and comfortable manoeuvrability** due to the two axles with turntable at the front. The optimal positioning of the rear axle outside of the feeder house **prevents collisions** when loading or unloading the header.

THE ADVANTAGES AT A GLANCE:

- > Suitable for header widths up to 10,7 m and 4.500 kg max. permissible total weight
- > Smooth and easy manoeuvrability
- > Optimal supports for all header types
- > Supports with angle adjustment
- > TÜV certification and type approval up to 25 km/h (40 km/h Option)
- > Overrunning- and parking brake
- > Tyres 260/70/15,3 14 Ply
- > Reinforced brake up to 5.600 kg max. permissible total weight (Option)
- > Additional supports (Option)
- > Supports available in color of the combine (Option)
- > Transport box for side knives 1,8 x 1,2 x 0,3 m (Option)



DRAWBAR ADJUSTABLE
IN HEIGHT

SUITABLE SUPPORTS FOR
ALL HEADER TYPES

ANGLE OF SUPPORTS
ADJUSTABLE



TURNTABLE

QUICK FASTENER

OPTIMAL POSITIONING OF THE REAR AXLE
no collision with the feeder house

> We have 2 BISO PROFIL trailers in use and are very satisfied especially with the smooth and comfortable manoeuvrability. Another big plus of the PROFIL trailer is the outside of the feeder house positioned rear axle making loading and unloading of the header much easier.<

NEUMEIER MAX JUN./SEN., 84030 ERGOLDING, GERMANY

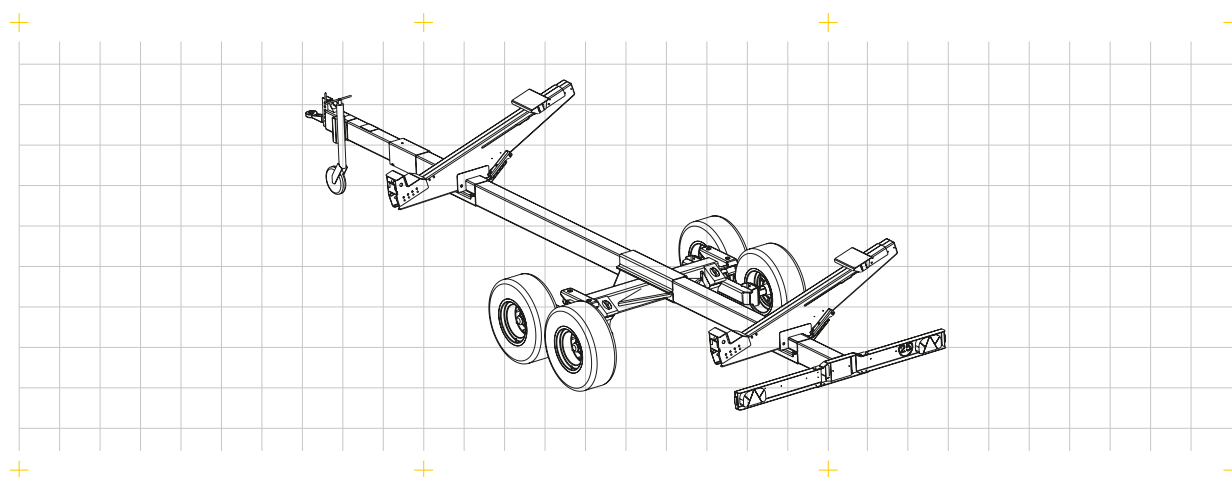


> BISO TANDEM

The BISO TANDEM trailer is suitable for cutting widths up to 9,15 m. The Tandem axle allows the very good weight distribution and reversing without problems.

THE ADVANTAGES AT A GLANCE:

- > Suitable for header widths up to 9,15 m and 3.650 kg max. permissible total weight
- > TÜV certification and type approval up to 25 km/h (40 km/h Option)
- > Low tyres 225/55 B12
- > Optimal weight distribution of the header
- > Perfect fixing with simple quick fasteners
- > Smooth handling
- > Overrunning brake (Option)
- > Parking brake (Option)
- > Winch for drawbar eye (Option)
- > Additional support (Option)
- > Supports available in color of the combine (Option)
- > Transport box for side knives 1,8 x 1,2 x 0,3 m (Option)



HEIGHT ADJUSTABLE
DRAWBAR EYE

QUICK FASTENER

SUPPORTS AND AXLE
MOVEABLE IF REQUIRED

ANGLE OF SUPPORTS
ADJUSTABLE



EXTENDABLE DRAWBAR FOR
ALL HEADER WIDTHS

OPTIMAL SUPPORTS FOR
ALL HEADER TYPES

LIGHT BAR
POSITIONED HIGHER

> I bought a BISO TANDEM trailer with overrunning brake from the Agritelma.
This overrunning brake improves the driving comfort and provides additional safety.
The trailer follows nice and smooth behind my combine.<

MR. BEZLER, 73275 OHMDEN, GERMANY

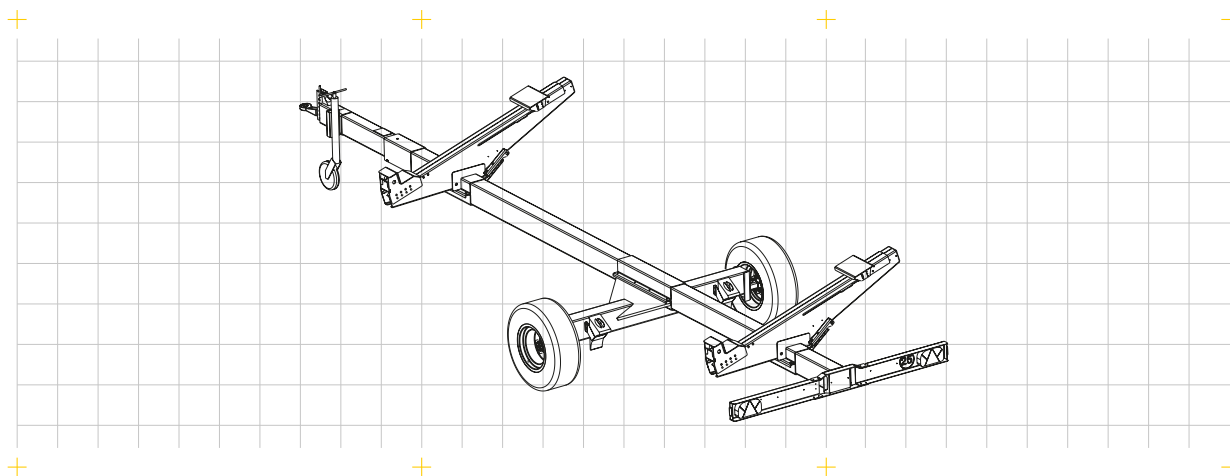


> BISO SWIFT

The **economical SWIFT** trailer with extendable axle is suitable for cutting width up to 7,3 m. Both axle and supports are freely movable and adjustable depending on customer requirements and allow an **optimal adaptation to each header**.

THE ADVANTAGES AT A GLANCE:

- > Suitable for header widths up to 7,3 m and 3.100 kg max. permissible total weight
- > TÜV certification and type approval up to 25 km/h (40 km/h Option)
- > Tyres 260/70/15,3 14 Ply
- > Perfect fixing with simple quick fasteners
- > Overrunning brake (Option)
- > Parking brake (Option)
- > Low tyres 23 x 9-10 20 Ply (Option)
- > Extendable axle for easier taking-off of the header (Option)
- > Winch for drawbar eye (Option)
- > Transport box for side knives 1,8 x 1,2 x 0,3 m (Option)
- > Additional support (Option)
- > Supports available in color of the combine (Option)



HEIGHT ADJUSTABLE
DRAWBAR EYE

ANGLE OF SUPPORTS
ADJUSTABLE

SUPPORTS AND AXLE
MOVEABLE IF REQUIRED

QUICK FASTENER



EXTENDABLE DRAWBAR FOR
ALL HEADER WIDTHS

OPTIMAL SUPPORTS FOR
ALL HEADER TYPES

AXLES ADJUSTABLE IN HEIGHT



> We run a BISO SWIFT trailer and it is following smooth behind our New Holland combine. An advantage is that we can slide in the drawbar, that saves space in the barn.<

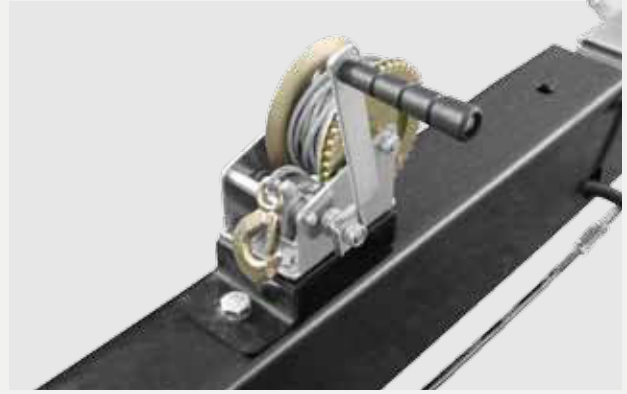
JENS STEFAN, AGRAR ASSOCIATION KUTSCHER, 04746 HARTHA, GERMANY

> OPTIONAL HIGHLIGHTS

BISO header trailers can be equipped with lots of different options. So every customer can buy his trailer fitting exactly for his requirements.



OVERRUNNING- AND PARKING BRAKE FOR SWIFT AND TANDEM
For better driving comfort



WINCH FOR SWIFT AND TANDEM
For pulling of the trailer when attaching



EXTENDABLE AXLE FOR SWIFT
To avoid collisions with the feeder house when loading or unloading and to ensure a wide and secure wheel base



LOW TYRES FOR SWIFT
Absolutely necessary for combines with limited lifting



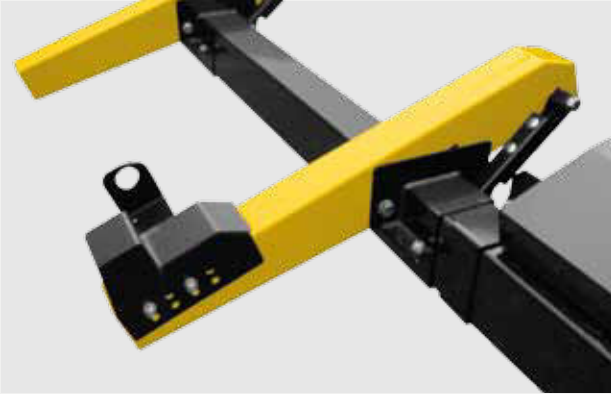
TRANSPORT BOX 1,8 X 1,2 X 0,3 M
That parts like side knife consoles are always ready to hand



40 KM/H DESIGN (MUDGUARDS, FOUR-WHEEL BRAKE ETC.)
Available for all BISO header trailers

> USERFRIENDLY DETAILS

BISO header trailers are characterized by many details, which enable easy handling for our customers.



OPTIMAL ADJUSTED SUPPORTS FOR EACH HEADER
For safe putting on the trailer



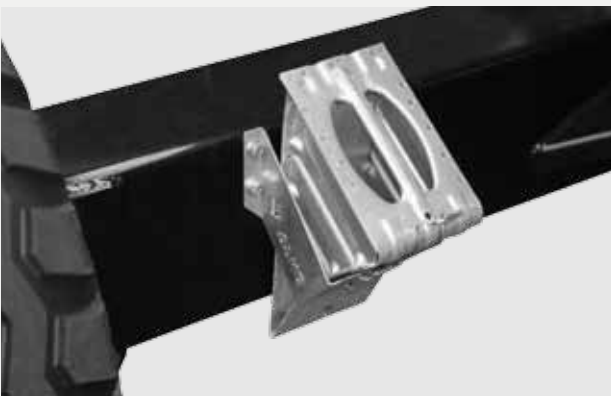
EASY TO BE OPERATED, SAFE LOCKING
With large tolerances when loading and unloading the header



BISO SPIKE PROFILES
For easy and perfect adjusting of the right angle



EASY MOVABLE DRAWBAR
For perfect adaptation to each header width at SWIFT and TANDEM trailer



WHEEL CHOCKS
For securing on uneven ground



HIGHER POSITIONED LIGHT BAR
To avoid damages at steep field entrances

> BISO TRAILERS FOR NEW HOLLAND HEADERS

BISO header trailers are perfectly adapted to the different New Holland headers and guarantee a safe transport and easy locking system.

The selection chart below shows you the right selection of BISO trailers for the different New Holland headers.

(3) ... third support recommended

		BISO HEADER TRAILERS							
		SWIFT	Supports	TANDEM	Supports	PROFI	Supports	PROFI STEER	Supports
NEW HOLLAND HEADERS	HIGH CAPACITY	13GHCP	X	2					
		15GHCP	X	2					
		17GHCP	X	2					
		20GHCP	X	2	X	2	X	2	
		24GHCP	X	2(3)	X	2(3)	X	2(3)	
		30GHCP			X	3	X	3	
	EXTRA CAPACITY	20GECP	X	2	X	2	X	2	
		24GECP	X	2(3)	X	2(3)	X	2(3)	
		30GECP			X	3	X	3	
	VARIFEED	17GVFP	X	2	X	2			
		20GVFP	X	2	X	2	X	2	
		24GVFP	X	2(3)	X	2(3)	X	2(3)	
	VARIFEED HEAVY DUTY	8P16VB	X	2	X	2			
		8P18VB	X	2	X	2	X	2	
		8P20VB	X	2	X	2	X	2	
		8P22VB	X	2	X	2	X	2	
		8P25VB			X	4	X	4	
		8P30VA					X	4	
		8P35VA					X	4	X 4
		8P40VA							X 4



> BISO TRAILERS FOR VX CROP RANGER AND ULTRALIGHT HEADERS

BISO offers its varioheaders VX CROP RANGER and ULTRALIGHT for New Holland combines as well. This headers have lots of technical advantages, are easy to work with and rise the output of the whole combine.

The selection chart below shows you the right selection of BISO trailers for VX CROP RANGER and ULTRALIGHT headers.

		BISO HEADER TRAILERS								
		SWIFT	Supports	TANDEM	Supports	PROFI	Supports	PROFI STEER	Supports	
BISO HEADERS	VX CROP RANGER	370	X	2	X	2				
		450	X	4	X	4	X	4		
		500	X	4	X	4	X	4		
		550	X	4	X	4	X	4		
		600			X	4	X	4		
		650			X	4	X	4		
		750					X	4		
		850					X	4		
		900					X	4	X	4
BISO HEADERS	ULTRALIGHT	1070						X	4	
		1230						X	4	
		1400							X	6
		1600							X	6



WITH OUR TRAILERS YOU CAN TRANSPORT YOUR HEADER SAFELY TO THE FIELD



www.lanbauer.com

BISO Schrattecker GmbH
Kammer 26
4974 Ort im Innkreis / Austria
Phone: +43/7751/7911-21
e-mail: verkauf.ort@biso.at

www.biso.at

 **BISO**
SCHRATTENECKER
HARVESTING TECHNICS

always one step ahead!