



BISO ULTRALIGHT 800

THE ALUMINUM LIGHTWEIGHT HEADER WITHOUT
COMPROMISING STRENGTH AND PERFORMANCE

 **BISO**
SCHRATTENECKER
HARVESTING TECHNICS

always one step ahead!

HARVESTING IN A NEW DIMENSION.

The ULTRALIGHT 800 is the „Ultimate“ for the professional and sets new standards in the harvesting technology. It opens a new dimension in fast and loss-free harvesting in all soil- and crop conditions, and this is available for cutting widths up to 16 m. By using **lightweight technologies from the airline- and car industries** the header frame is made of aluminum, combined with high strength steel and stainless steel, which is the basis for this unique Vario header.

This unique combination of materials results in a hybrid frame that allows **weight reduction especially needed for large cutting widths** whilst **increasing stability**. The hybrid frame passed also the endurance test easily, so the future technologies used in design process have been confirmed also in the laboratory.

These high quality materials are also used on the moving parts of the ULTRALIGHT; the intake auger and variable bed are made of stainless steel, achieving a superior flow of material in to the combine.

> ALWAYS THE OPTIMAL POSITION OF THE CUTTING KNIFE

Due to the **800 mm stepless adjustable cutterbar**, the crop flow into the BISO ULTRALIGHT is constantly transported „head-first“ to the intake auger with very little use of the reel. This uniform feeding increases the total output of the combine. Completely retracted the cutterbar is **only 225 mm** away from the intake auger, this results in huge advantages when harvesting a short crop; a unique selling point of the ULTRALIGHT header.

> CHANGE FROM CEREAL TO RAPE

BISO Vario headers are the only ones on the market, where it is truly possible to change from cereals to rape in less than five minutes. Only the crop dividers have to be removed and put onto the bracket of the header trailer. The integrated side knives are folded up hydraulically very easily – an absolute „Highlight“. Therefore the lifting and mounting of the side knives is now a thing of the past. Something our competitors can not match. Finally you move the cutterbar 800 mm forward and you are able to start harvesting rape.

TECHNICAL DATA:

TYPE	UL 1070	UL 1230
Working width (mm)	10750	12270
Outside width with 2 hydraulic side knives (mm)	11350	12870
Cutterbar depths retracted/extended (mm)	225/1025	225/1025
Reel diameter (mm)	1070	1070
Auger diameter inside/outside (mm)	460/660	460/660
Spare knife	Ja	Ja
Weight header – without options (kg)	3390	3670

OPTIONS:

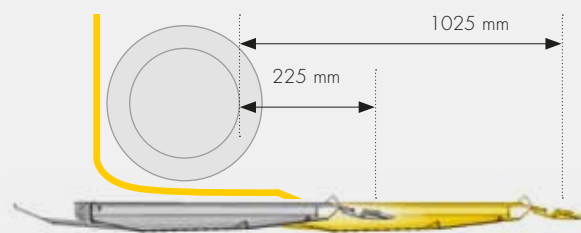
- > Hydraulic angle adjustment
- > Electric reel fine adjustment
- > Integrated wrap protection for the reel
- > Hydraulic foldable side knives



CUTTING KNIFE COMPLETELY RETRACTED and side knives folded



CUTTING KNIFE COMPLETELY EXTENDED and side knives folded-up



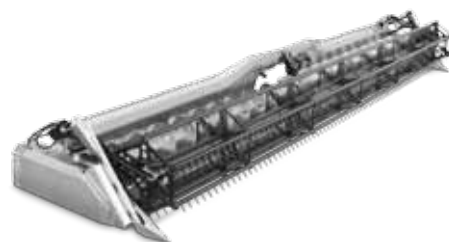
CONTENT

04

BISO ULTRALIGHT 800

THE ALUMINUM LIGHTWEIGHT HEADER WITHOUT COMPROMISING STRENGTH AND PERFORMANCE.

- + Cutting widths up to 16 m
- + Massive weight loss by increasing the stability
- + Header frame made of aluminum combined with high strength steel and stainless steel
- + 800 mm variable cutterbar
- + Hydraulic foldable side knives



06

PIONEERING TECHNOLOGY

07

MODERN DESIGN

08

OPTIONAL HIGHLIGHTS

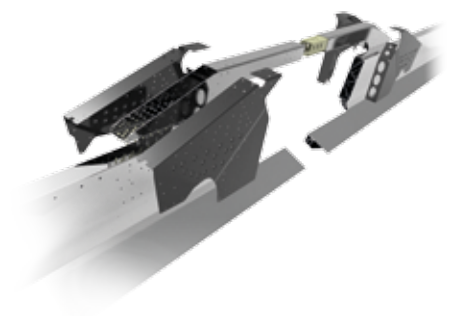
09

USERFRIENDLY DETAILS

10

BISO PROFI STEER

- + For header widths up to 16 m and 6.000 kg max. permissible total weight
- + Excellent manoeuvrability by the hydraulic rear steering axle
- + Front axle with full width





> BISO ULTRALIGHT 800

THE ALUMINUM LIGHTWEIGHT HEADER WITHOUT COMPROMISING STRENGTH AND PERFORMANCE

This header is **the Ultimate for the professional** and sets new standards in the harvesting technology. It opens a new dimension in fast and loss-free harvesting in all soil- and crop conditions, and this for **cutting widths up to 16 m**.

By using lightweight technologies from the airline- and car industries **the header frame is made of aluminum**, combined with high strength steel and stainless steel, which is the basis for this unique Vario header.

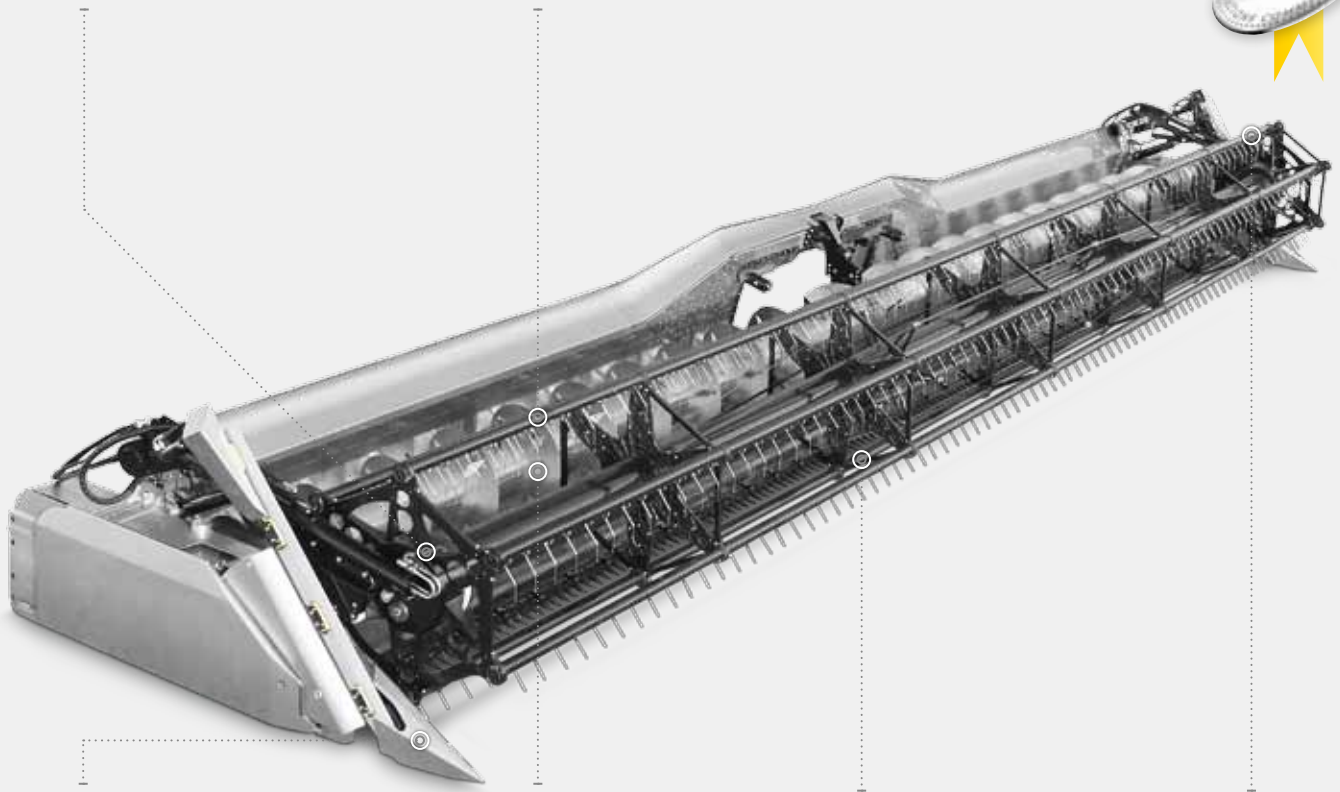
THE ADVANTAGES AT A GLANCE:

- > Cutting widths up to 16 m
- > Massive weight loss by increasing the stability
- > Header frame made of aluminum combined with high strength steel and stainless steel
- > Minimal vibration due to the rigid frame and double-sided drive of cutting knife and intake auger
- > 800 mm variable cutterbar
- > Perfect flow of material in both short crop and rape
- > Integrated, hydraulic foldable side knives
- > Hydraulic angle adjustment for flat crop and different soil conditions
- > Robust stainless steel intake auger
- > Modern designed splashguard to prevent grain losses



INTEGRATED HYDRAULIC REEL DRIVE INSIDE THE REEL TUBE
no wrapping

INTEGRATED WRAP PROTECTION FOR THE REEL

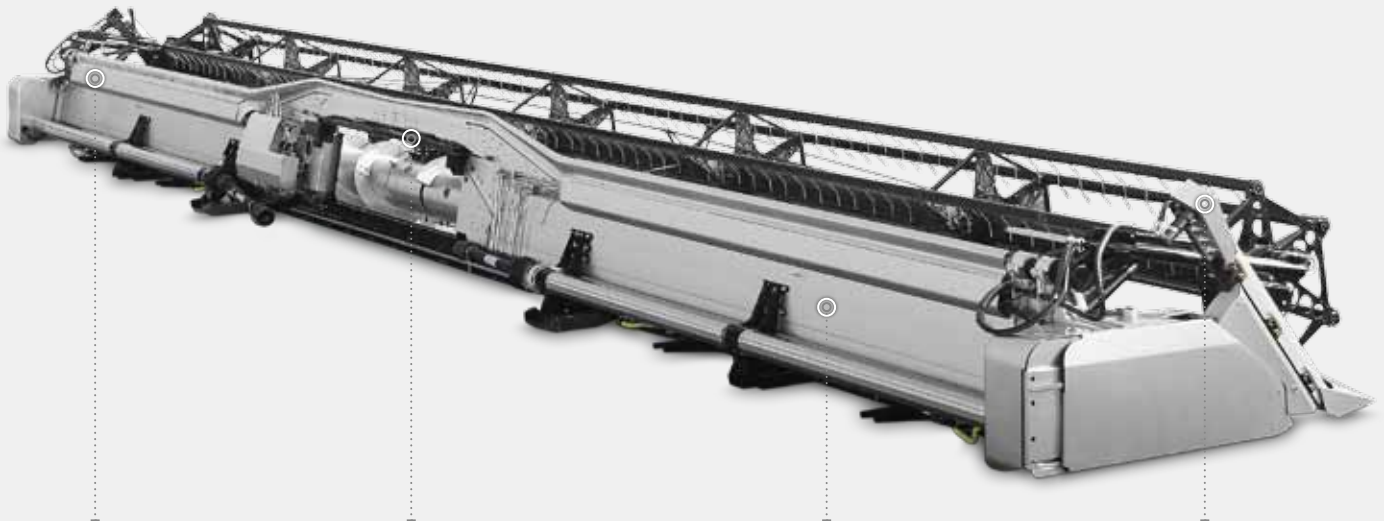


UNIVERSALLY ADJUSTABLE CROP DIVIDERS

INTAKE AUGER MADE OF STAINLESS STEEL

800 MM CONTINUOUS CUTTERBAR ADJUSTMENT
with stainless steel cover

ELECTRICAL REEL TINE ADJUSTMENT



MODERN DESIGNED SPLASHGUARD

HYDRAULIC ANGLE ADJUSTMENT

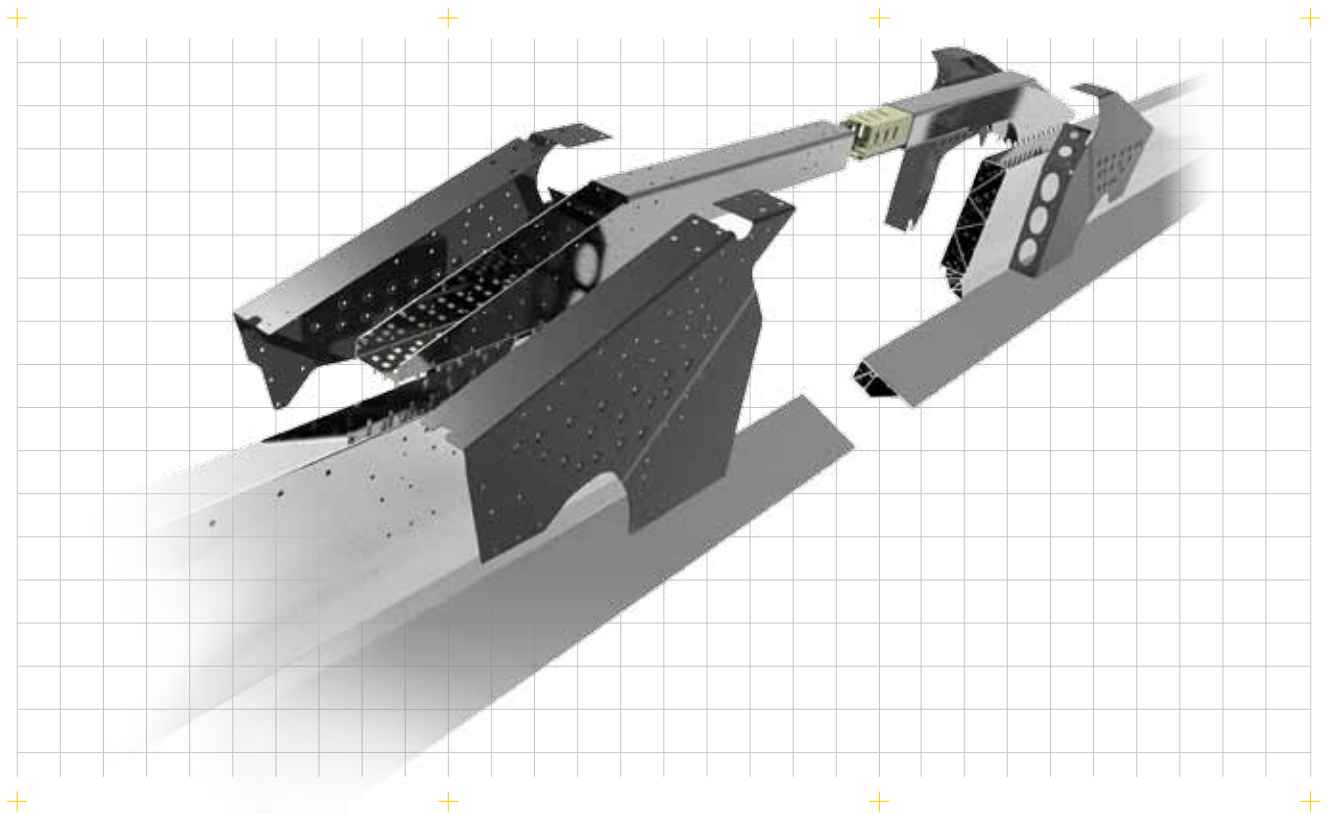
LIGHT, NON-VIBRATING HYBRID FRAME
up to 16 m working width

HYDRAULIC FOLDABLE SIDE KNIVES

> PIONEERING TECHNOLOGY

ADDITIONAL WEIGHT REDUCTION BY ALUMINUM LIGHTWEIGHT TECHNOLOGY

- > This unique combination of materials results in a hybrid frame that allows much needed weight reduction required for large cutting widths whilst increasing stability.
- > These high quality materials are also used on the moving parts of the Ultralight; the intake auger and variable bed are made of stainless steel, achieving a superior flow of material into the combine.
- > To simplify the transport of headers with big cutting widths, the frame is divided in the middle.
- > The hybrid frame passed also the endurance test easily, so the future technologies used in design process have been confirmed also in the laboratory.



> This header has excellent stability with the 4 Auto-float skids covering the 12 metre width, which shows that tracks are not necessary required on a header this wide. Also having the side knives fixed to the header is good because we often change between crops, sometimes very late at night and it is so nice to know just be able to press a button in the cab and the side knives come up. The header performed especially well in the beans. Because the knife and auger are driven from both ends there is a lot less stress on the header and virtually no vibration.<

RON DAVISON, HIGH ELMS FARM, COWLINGE, NEWMARKET CB8 9HT, GREAT BRITAIN

> MODERN DESIGN



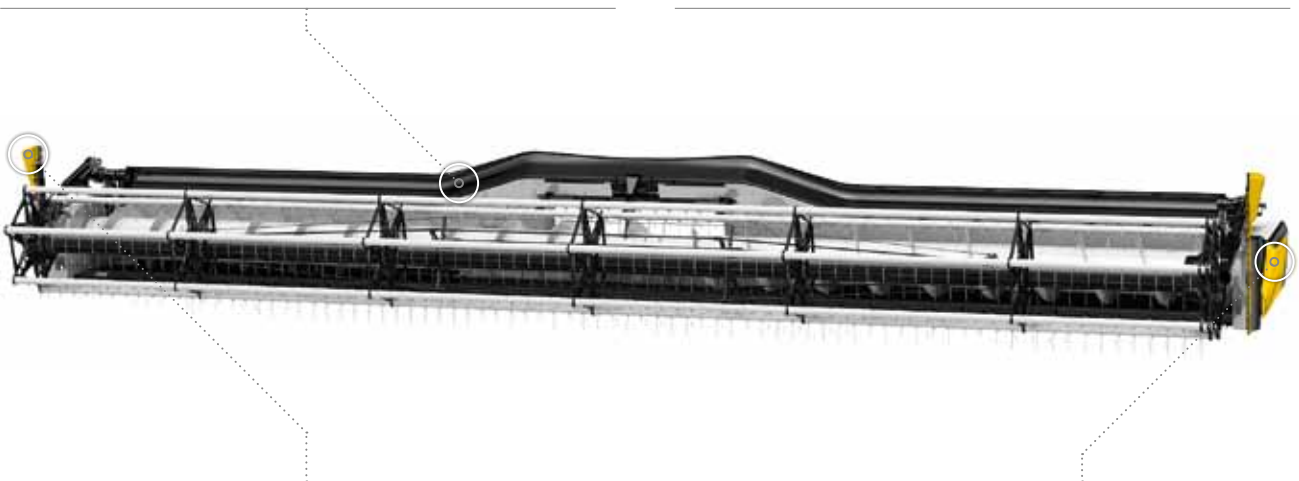
SPLASHGUARD

To avoid grain losses around the feeder house area the ULTRALIGHT 800 is equipped with a modern designed splashguard



ACCESS

All hydraulic components are easily and quickly accessible due to the foldable cover



LESS GRAIN LOSSES

The drive of the side knife is protected with an aerodynamic cover to avoid grain losses in this area

VARIO KNIFE DRIVE GUARD

The Vario knife drive guard is made of plastic and gives the ULTRALIGHT 800 a perfect optical touch



> I have a BISO ULTRALIGHT 800 with a cutting width of 12,3 m. In rape harvesting the header works fantastically and I can drive with the same speed as with my previous 10,7m header and for the most part without any work on the reel. The machine has a significantly better running smoothness through the continuous and uniform feeding. The diesel consumption per hectare could also be reduced. Also in wheat the header works very good and fed the crop evenly to the threshing units, so that I can fully utilize my combine. Further I was convinced of the optimum guidance of the header. I am very impressed especially of the many userfriendly features like the hydraulic folding of the side knives or the angle adjustment of the header. The smooth running of the header with lowest vibration is also a positive aspect. In combination with the PROFIL STEER header trailer with back steering axle and excellent manoeuvrability the BISO ULTRALIGHT 800 is a great machine that I can only recommend.<

LORENZ RINDLER, 18519 SUNDHAGEN, GERMANY

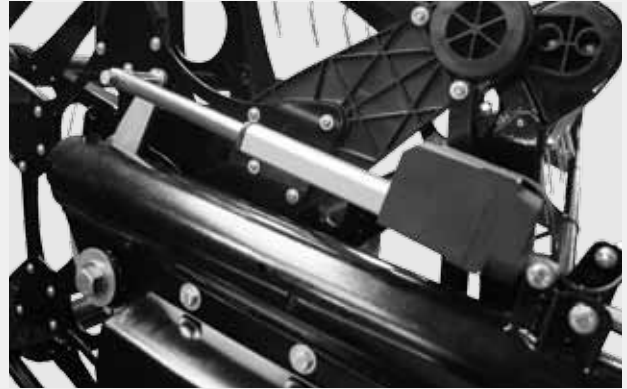


> OPTIONAL HIGHLIGHTS

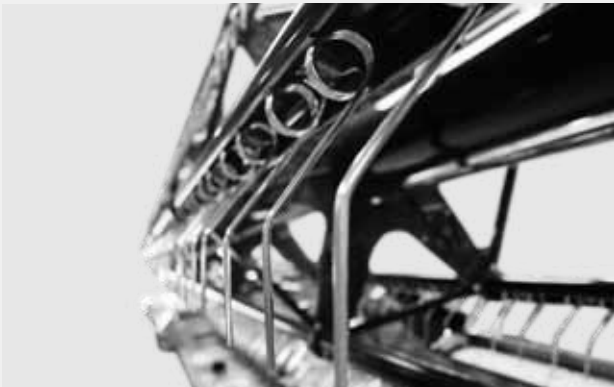
BISO ULTRALIGHT 800 headers are characterized by several options, which help our customers to use it easier.



HYDRAULIC ANGLE ADJUSTMENT
For flat crop and different soil conditions



ELECTRICAL REEL TINE ADJUSTMENT
Flat angle for rape – steep angle for flat crop



REEL TINE TUBE WITH INTEGRATED WRAP PROTECTION
Prevents the wrapping of weeds (for instance camomile)



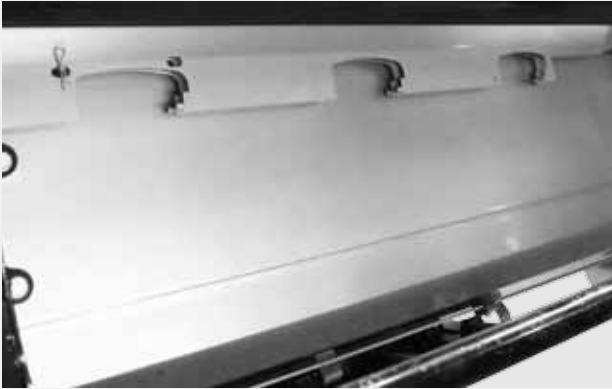
INTEGRATED HYDRAULIC FOLDABLE SIDE KNIVES
Can also be used in combination with crop dividers (for instance rye)



> The BISO Ultralight 800 is great; because of the aluminum frame and the split knife drive and auger drive, there is no vibration in the cab. With the New Holland 10,7 m HD header you can always hear the knife working, which is no problem but you are always aware that a noise is there and after a long day it can sometimes play on your mind a little. Having another 200 mm of knife movement backwards definitely helped, this was especially noticed when harvesting some spring barley. The crop was so short that I pulled the knife completely in so that almost as soon as the crop was cut the auger was taking it. Being able to adjust the angle of the reel tines also helped just flick the crop in when needed. I really like the hydraulic header tilt; we have some quiet severe slopes on the farms and by being able to tilt the header back when going up hill and forward going down helped follow the contours a lot better. Also having 4 auto-float skids made the header very smooth, this together with the tracks made the whole operation very steady. I found the header easy to take on and off as the wheel of the trolley was completely out of the way of the combine feeder house. Plus having the PROFI STEER trolley with the steering rear axle was a huge advantage, we managed to get this in places where we would normally struggle to get the 10.7 m trolley.<

> USERFRIENDLY DETAILS

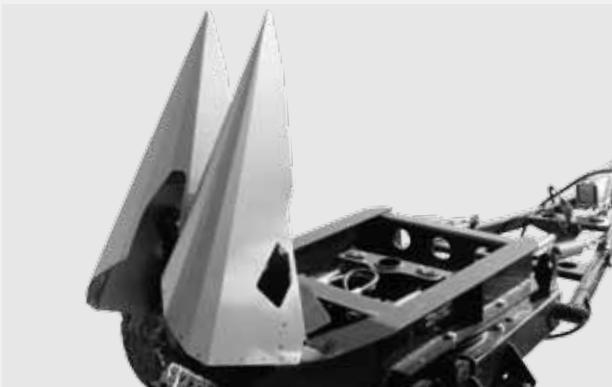
The grain harvest is a very stressful time. There are a lot of details on the ULTRALIGHT headers to facilitate harvesting and to have all necessary functions to hand.



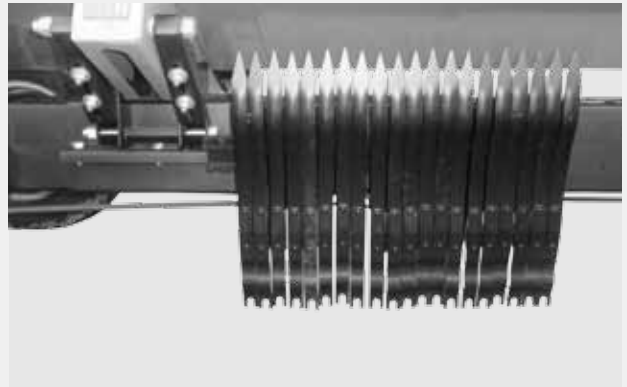
BRACKET FOR SIDE KNIFE GUARDS
The guards are always to hand to prevent injuries



EASY AUGER HEIGHT ADJUSTMENT
for thick rape stalks



BRACKET FOR CROP DIVIDERS
Required for quick change to rape



BRACKET FOR CROP LIFTERS
The crop lifters are always to hand if needed in difficult crops



> BISO PROFI STEER HEADER TRAILER

The **PROFI STEER** is the **Ultimate under the header trailers**. The trailer is characterized by the hydraulic rear steering axle, which ensures an **excellent manoeuvrability** even in tight corners or going around roundabouts, so **moving of large headers with a combine or tractor is now easy**. Further advantages are the front axle with full width for better driving comfort and the lower structure of the turntable, which shortens the total length of the trailer.

THE ADVANTAGES AT A GLANCE:

- > Suitable for header widths up to 16 m and 6.000 kg max. permissible total weight
- > Perfect manoeuvrability through the rear steering axle with integral hydraulic system
- > Optimal supports for all header types
- > Drawbar adjustable in height
- > Supports with angle adjustment
- > Overrunning- and parking brake
- > TÜV certification and type approval up to 25 km/h (40 km/h Option)
- > No hydraulic- and brake lines under the frame
- > Tyres 260/70/15,3 14 Ply
- > Transport box for side knives 1,8 x 1,2 x 0,3 m (Option)



ROBUST TURNTABLE

LEVER FOR LOCKING
THE REAR STEERING AXLE

LARGE DIMENSIONED
MAIN BEAM



FRONT AXLE WITH
FULL WIDTH

LOWER STRUCTURE
OF THE TURNTABLE
shortens the total length

REAR STEERING AXLE USING
INTEGRAL HYDRAULIC SYSTEM



www.lanbauer.com

BISO Schrattecker GmbH
Kammer 26
4974 Ort im Innkreis / Austria
Phone: +43/7751/7911-21
e-mail: verkauf.ort@biso.at

www.biso.at



always one step ahead!